



Closed loop rotational actuator

Part number: **PRG-200A**

Miniature, low force, self-contained powered directly from the controller.

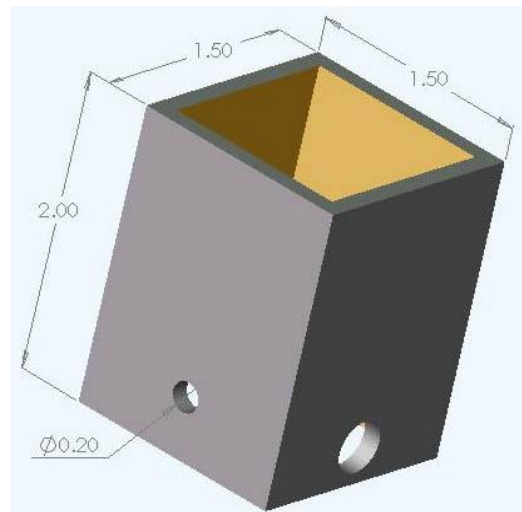
The mechanical part of this system will rotate up to 200deg. It has no limit switches but the enclosed absolute encoder under normal operation conditions will not allow you to overdrive the system.

Applications include: slow speed beam steering, scanning, tracking.

Unit price: **\$145 (without optics holder)**



Photo



3-D

- Voltage requirements 5VDC to 10VDC
- Can also be operated from USB power
- 0.025kg/cm torque
- Interface for a rotational platform
- Max. velocity 45deg/s
- Built-in resistive absolute encoder.
- Resolution: Not specified
- Minimum increment: ~ 2.5deg
- 10mm diameter shaft
- Size: 1.5" x 1.5" x 2.5" (see 3-D photo)
- Total weigh 0.4 lb
- Optics not included.
- Recommended controller **UDA-210**.

You can use your own driver which can be a simple adjustable power supply from 0 to 5V DC.