



Intelligent, closed loop, rotational actuator

Part number: **PRG-200**

Miniature, low force, self-contained powered directly from the controller.

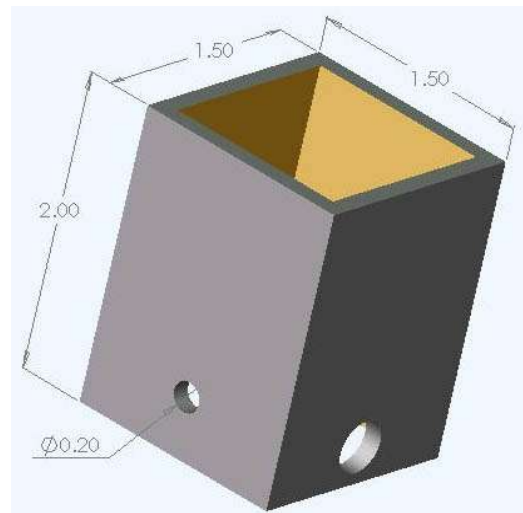
The mechanical part of this system will rotate up to 200deg. It has no limit switches but the enclosed absolute encoder under normal operation conditions will not allow you to overdrive the system.

Applications include: slow speed beam steering, scanning, tracking.

Unit price ranges (Non OEM): \$ 145 to \$245 depending on options



Photo

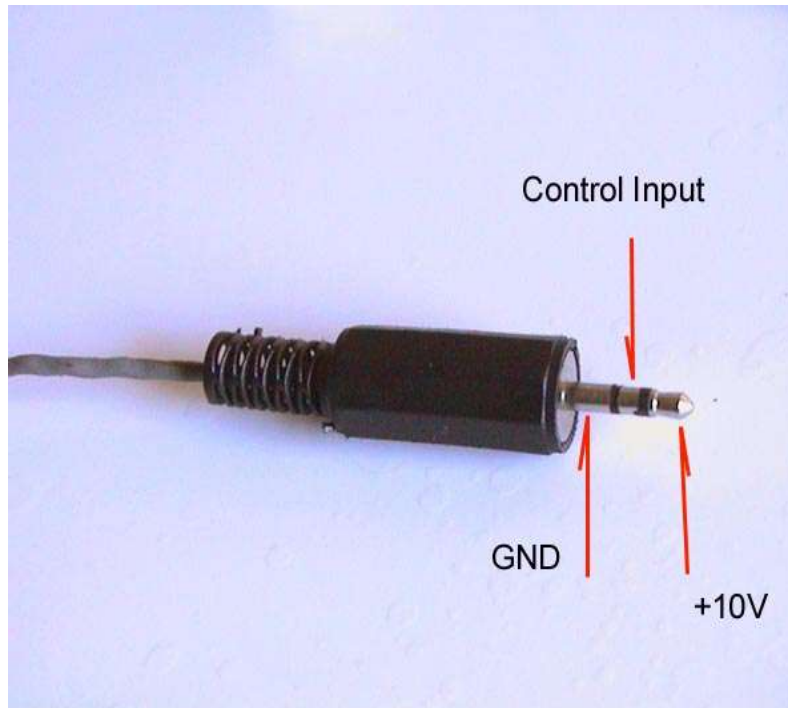


3-D

- Voltage requirements 5VDC to 10VDC
- Can also be operated from USB power
- 0.1kg/cm torque
- Interface for a rotational platform
- Rotation reversible
- Max. velocity 100deg/s
- Resolution: Not specified
- 10mm diameter shaft
- Multiple mounting options available
- Basic software package included
- Size: 1.5" x 1.5" x 2.5" (see 3-D photo)
- Total weigh 0.4 lb
- Available for delivery in 2-4 weeks.
- Optics available but not included.
- Recommended controller **PDA-210**



If you are using your own driver please observe the photo below for the correct wiring of power and control signal.



Some actuators have been fitted with a different connector as pictured below. Please make sure that the power voltage is in fact 10VDC not 15VDC and that the control signal or Input swings between MAX. 0.5V and 4.5V with the optimal range determined experimentally.

