



Intelligent, closed loop, linear actuator

Part number: **PLB-50**

Miniature, low force, very fast, single axis intelligent actuator.

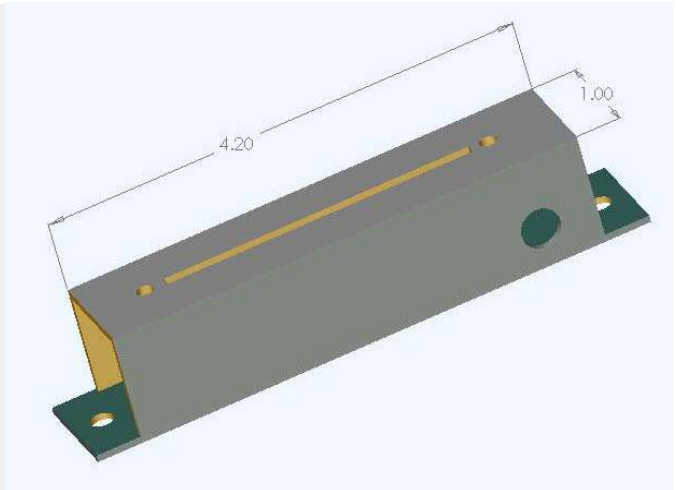
The mechanical part of this system will travel up to 100mm. It has no limit switches but the enclosed absolute encoder and electronics will not allow you to overdrive the system under normal operation conditions.

Applications include: Very fast, high speed beam steering, scanning, tracking.

Unit price ranges (Non OEM): \$ 295 to \$445 depending on travel and options



Photo

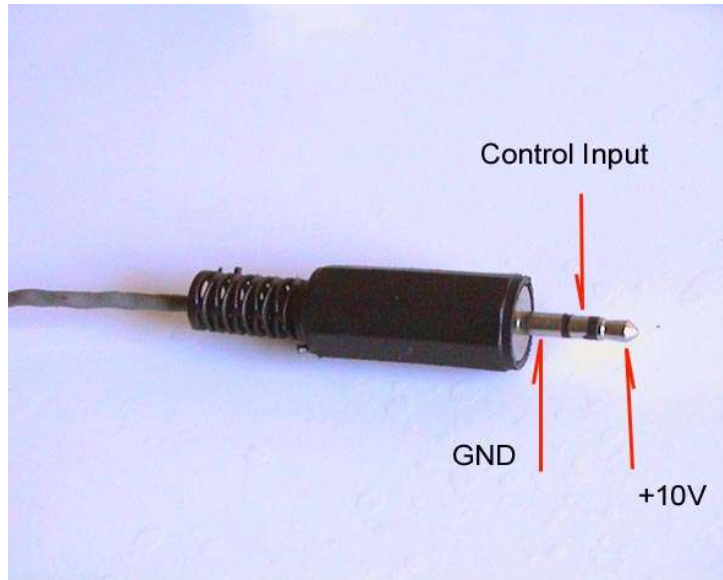


3-D

- Voltage requirements: 10VDC to 12VDC
- Can also be operated from USB power
- Max. pushing force: 0.05lb
- Interface for translation platform
- Reversible operation
- Max. velocity: 500mm/s (50grams load)
- Resolution: approximately 100 μ m
- Straightness and flatness: Not specified.
- Linearity: Not specified.
- Multiple mounting options available
- Basic software package included
- Size: 1" x 1" x 5" (see 3-D photo)
- Total weigh 0.5 lb
- Available for delivery in 4 to 6 weeks.
- Optics available but not included.
- Recommended controller **PDA-210**



If you are using your own driver please observe the photo below for the correct wiring of power and control signal.



Some actuators have been fitted with a different connector as pictured below. Please make sure that the power voltage is in fact 10VDC not 15VDC and that the control signal or Input swings between MAX. 0.5V and 4.5V with the optimal range determined experimentally.

