



Part number:

RSC-100

Miniature Rotational Stage:

Motorized open aperture stages

Travel range:

360 degrees continuous

Motor type:

Stepper or DC Servo

Motor Voltages:

9 -30V DC

Motor current:

Maximum 200mA

Microsteps per 360deg:

Up to 16200

Moving platform:

Aluminum

Yaw/Pitch angle:

Not specified

Bi-directional repeatability:

0.5deg

Positioning error:

0.5deg

Maximum rated speed:

360deg/s


Maximum normal load:

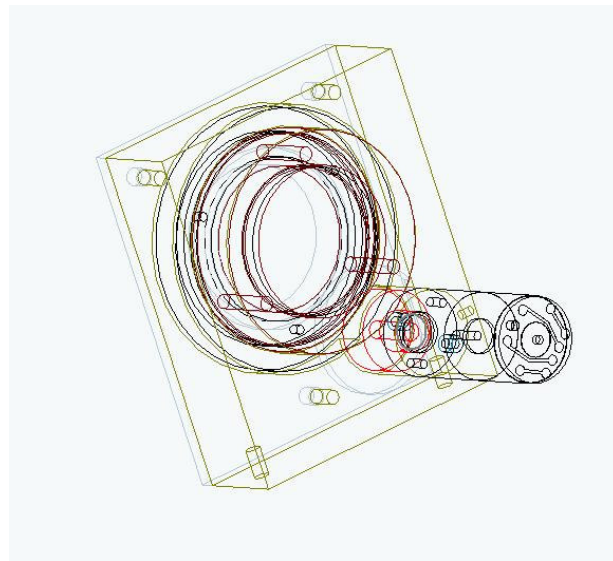
0.5N (with CG on the rotation axis)

Reference switch:

Hall effect

Recommended controller:

USS-210 and SSP-21 



RSC-100

- The open aperture rotational stage **RSC-100** has a small size perfect for demanding industrial applications.
- Optionally the stage can be equipped with an optical encoder for direct feedback from the rotational platform
- Smaller apertures can be obtained using an adapter.