



Part number:

OLM-5

Sub-miniature Stage:

Operation:

Travel range:

Resolution:

Minimum increment:

Maximum normal load:

Configurations:

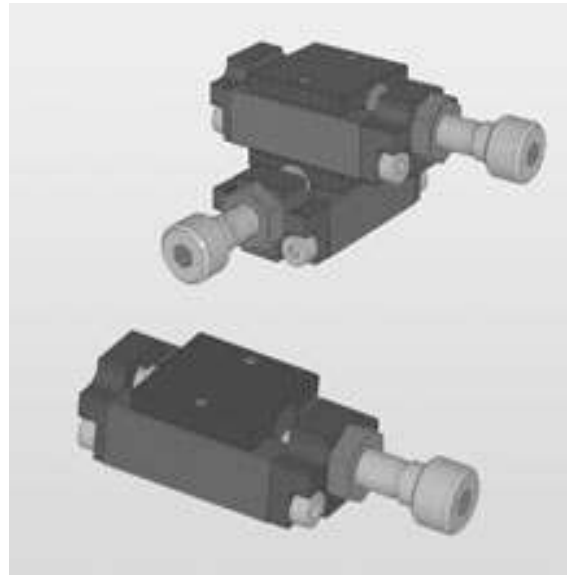
Guiding mechanism:

Mounting to optic bench:

Stage Weight:

Dimensions:

- With fine adjustment screw
- Manual with preload
- 5mm
- Screw pitch 250µm per rotation
- Controllable down to 1µm.
- Up to 20N.
- X axis and XY axis
- Dovetail guides
- Adapter plate 35.065.9000
- 15 grams
- 9.5 x 14 x 39mm



PLM-5

