



Part number:

PRS-55A

Miniature Rotational Stage:

Motorized direct drive

Travel range:

360 degrees continuous

Motor type:

2 Phase bipolar Stepper

Motor Voltages:

9 -30V DC

Motor current:

300mA / phase

Maximum torque:

4.3 oz-inch (0.03 N-m)

Encoder counts per rotation:

20800 (83200 optionally)

Microsteps per rotation:

72000

Backlash:

No backlash

Yaw/Pitch angle:

Not specified

Bi-directional repeatability:

0.0173deg (1 arcmin, 60 arcsec, 0.2mrad)

Positioning error:

+/-180 arcsec

Maximum rated speed:

360deg/s

Maximum normal load:

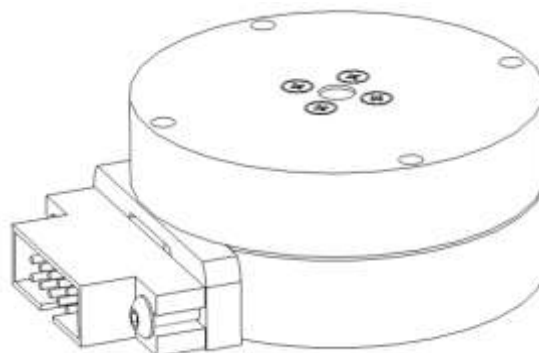
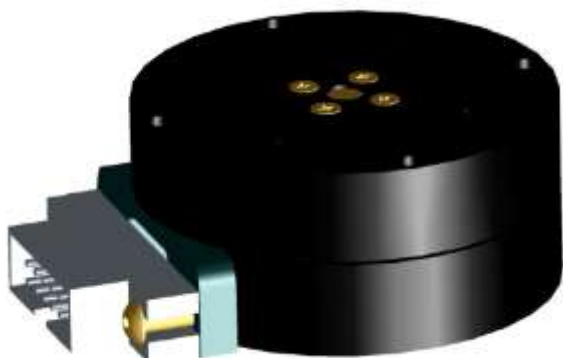
5N (with CG on the rotation axis)

Available options:

Index. Home referencing.

Recommended controller:

SSP-21 



PRS-55A

- The high-precision rotational stages of the **PRS-55** series are characterized by high precision, which is necessary for demanding **R&D** applications.
- Due to their suitability for continuous operation, they are also an appropriate choice for industrial applications. The direct drive construction ensures backlash-free motion and a high normal load capacity.
- The recommended operation is with the rotation axis oriented vertically and the load with the Center of Gravity located on the axis of rotation. All aluminum parts have a top quality black anodized protective coating.

