



Part number:

1T-25

Tilting platform:

Tilt range:

Diameter:

Resonance frequency:

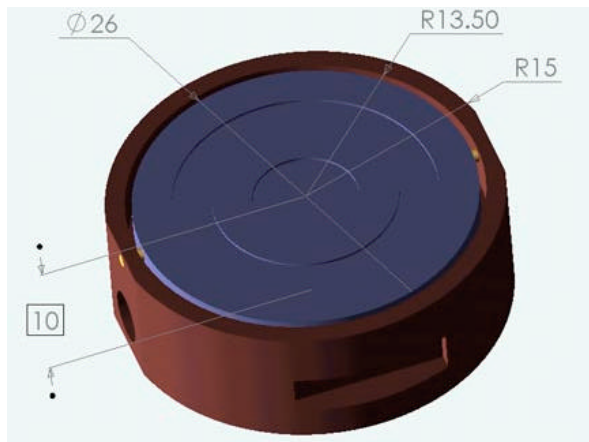
Available options:

Recommended driver:

Dimensions:

Unit price ranges (Non OEM):

- Ultrafast Single axis
- 6.5degrees or 115mrad (255mm @ 2240mm distance)
- 25mm
- Approx. 500Hz w/o optics.
- SGS position feedback
- Vacuum compatible
- Cryogenic temperature compatible.
- 1SA-100 and 1A-100
- Millimeters
- Depending of size and options.



3 D



Photo

The platform is delivered with a 25cm long cable fitted with a LEMO plug.

LEMO part number FFA.OS.304.CLAC32.

The mating connector has LEMO part number PCA.OS304.CLLC32

The cable used is 4 x AWG 32 with PVC insulation.

The recommended method to install the optics is by permanently gluing it to the platform.

Measured maximum response time was <1ms for maximum tilt range.