



**Part number:**

**DCS16-1004**

**Motor:** DC Brushed  
**Planetary Gearhead ratios:** 34.165:1 – 63.75:1 -137.2:1  
**Nominal Voltage:** 6V or 12V,  
**Rotary encoder:** 10bit (1024 encoder counts per motor revolution)  
**Resolution:** 0.351deg (6.1359mrad)  
**Nominal load current:** 250mA (max.800mA)  
**Maximum torque:** 250g-cm (max.800g-cm)  
**Rated speed:** 300r.p.m.  
**Available options:** Index pulse. Absolute position.  
**Recommended controller:** SuprMotrV<sup>®</sup>  
**Dimensions:** Diameter: 16mm. Length: 45mm.



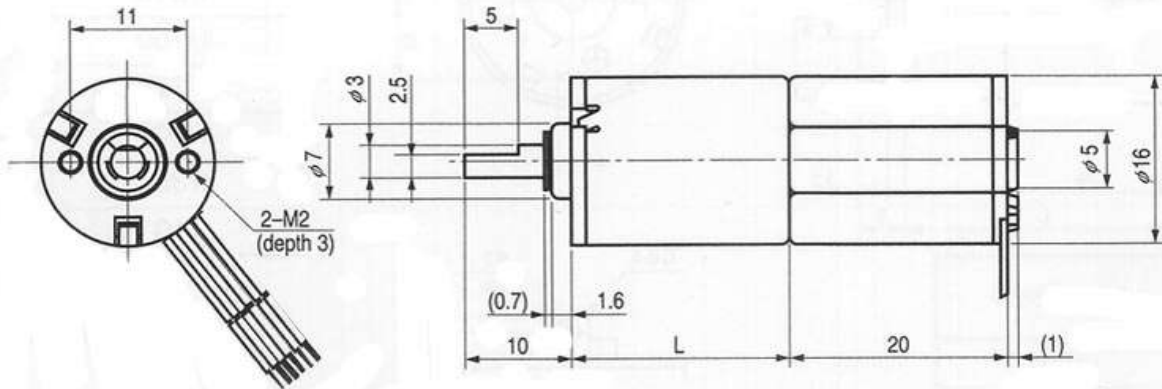
Photo



3-D

The ServoMotor is delivered with a 25cm long ribbon cable. An IDC 10pin connector can be optionally added. The pin-out is listed below:

<b>Pin 1</b>	<b>Motor +</b>
<b>Pin 2</b>	+5V to encoder
<b>Pin 3</b>	Encoder Ch. A
<b>Pin 4</b>	Encoder Ch. B
<b>Pin 5</b>	Ground.
<b>Pin 6</b>	Motor -
<b>Pin 7</b>	NC (optional Absolute or Index)
<b>Pin 8</b>	NC
<b>Pin 9</b>	NC
<b>Pin 10</b>	NC



DCS16-1004 Drawing